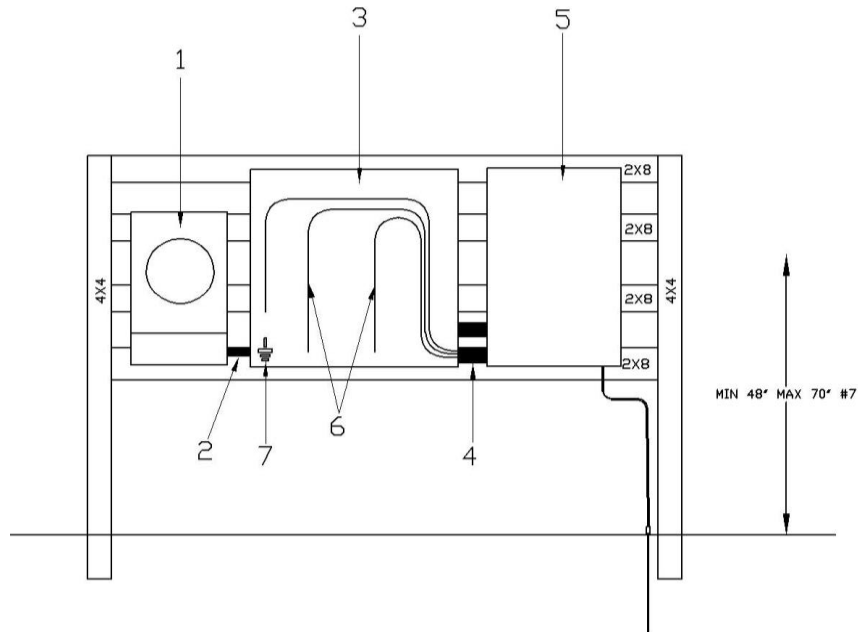


**San Patricio Electric Cooperative – (361) 364-2220 #132  
Single Phase / Three Phase C.T Meter loops – Self Support**



### C. T. Meter Diagrams

#### Single Phase/Three Phase System.

1. C. T. Meter enclosure with Test Switch. San Patricio Electric keeps Meter cans in stock.  
(Single Phase / MB-UC7532-RL-TS10-0109)  
(Three Phase / MB-UC7449-RL-TS10-0109)
2. Minimum 1" PVC chase (Plastic Bushing required.)
3. NEMA 3R Enclosure with locking attachment.  
Single Phase (Minimum 24x24x8 - #HF-A24R24HCR)  
Three Phase (Minimum 36x36x12 –HF-A36R3612HCR).
4. PVC Threaded adapters (T-A's) or threaded galvanized nipple between C.T. Box and Disconnect. (Threaded galvanized nipple must have Bonding Bushing). Length must be a minimum of 4" but not more than 6". (Plastic Bushing Required.)
5. Main Disconnect
6. Install service conductors from disconnect into NEMA 3R box. (4' to 6' of service conductors should be left inside NEMA 3 box for Termination.
7. Ground/ Bound NEMA 3 Enclosure and rack if made of Metal.

**San Patricio Electric Cooperative – (361) 364-2220 #132**  
**Single Phase / Three Phase C.T Meter loops – Self Support**

- Member will provide C. T. Meter can, NEMA 3R box, Disconnect, Meter Rack and all chases to equipment. (San Patricio Electric keeps C.T. Meter cans in stock)
- C.T. Meter Enclosure and Main Disconnect must be installed on opposite sides of NEMA 3 box for termination.
- San Patricio Electric will provide the C.T.'s, Wire and the Labor to terminate Metering equipment.
- NEMA 3R Enclosure for Single Phase and Three Phase Metering Equipment.
- Knock out only the holes required for Main Breaker and C.T. Meter can, San Patricio Line Crew will complete installation.
- Polaris Lugs provided by member. (Add two spaces to the number of service entrance conductors used).
- LOOPS must be COMPLETELY ASSEMBLED by the MEMBER or by an ELECTRICIAN in order to be CONNECTED. Co-op employees will not help in the assembling of a meter loop on the job site. The Coop shall determine the acceptability of the meter loop before the connection is made.
- Meter Can must be mounted a MINIMUM of 48" from the ground up and a MAXIMUM of 72" from the ground up. This applies to House & Meter Pole installation.
- Meter and main disconnect must be located on the outside area of any structure. Disconnect and C.T. Meter must be located directly beside NEMA 3R box. Disconnect must be breakers or fuses type. Knife Switches are not allowed...
- Caution must be taken in selecting the service entrance location to the Disconnect.
- Dig Tess (800) 344-8377 should be notified 3 days prior to digging trench.
- Service wires are buried in conduit; sharp turns and angles cannot be made.

**Members must expose all underground Customer owned lines. Water, Sewer, Sprinkler, Phone and Gas lines should be exposed before underground work can begin. If lines are not exposed, San Patricio Electric is not responsible for any damages caused to unexposed pipe.**

**San Patricio Electric has an electrician that builds meter loops.**

**For price quotes call the Cooperative at [361-364-2220 ext.132](tel:361-364-2220)**